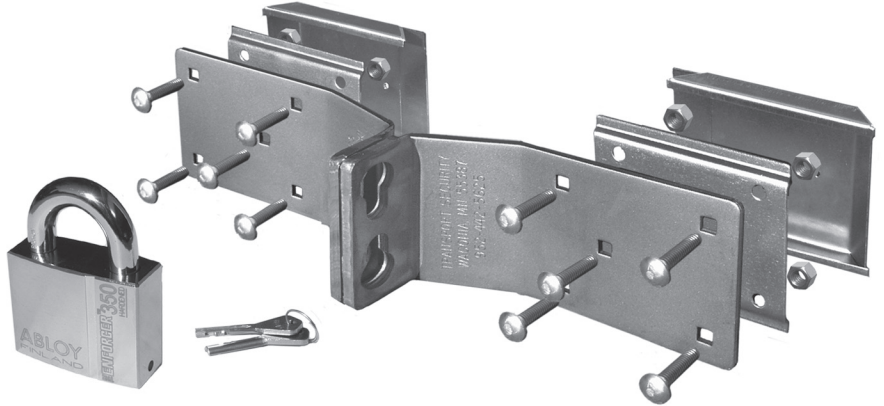
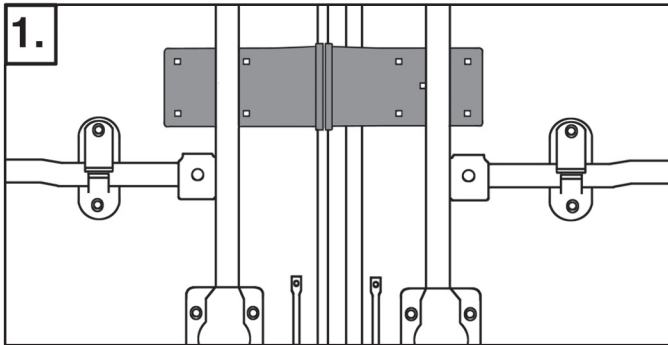


Parts List :

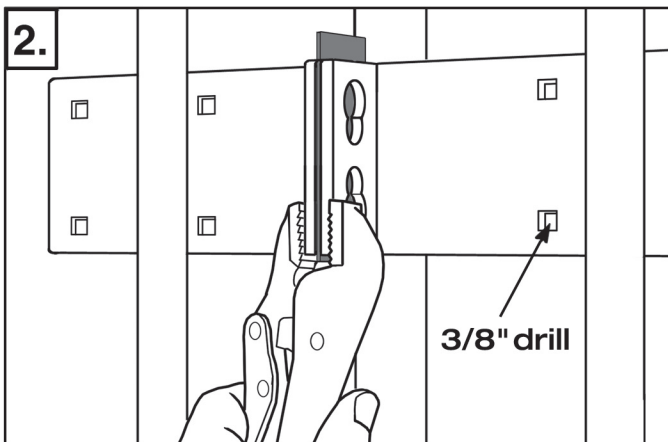
- 2 Hasp sides
- 2 Backing plates
- 2 Cover plates
- 10 3/8" Carriage bolts
- 10 Nuts
- 1 Abloy padlock



Tools needed for installation : pencil, center punch, electric drill, 3/8" drill bit, 9/16" wrench, hacksaw, vice grips and a hammer.



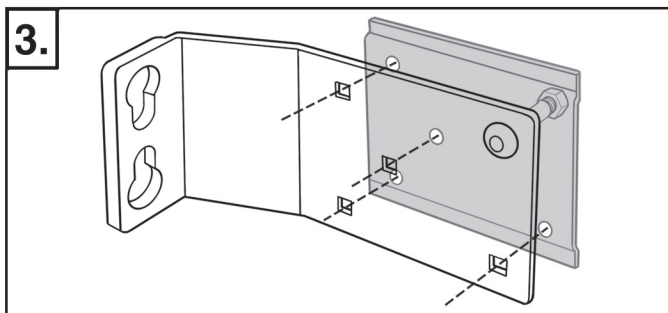
Select the location for the hasp on a flat or nearly flat door surface.



Place a thin strip of card stock between the hasp sides to prevent binding after installation. Check their alignment and clamp them together with the vice grips.

Use the hasp assembly as the template to mark the locations for drilling the 3/8" carriage bolt holes.

Remove the hasp assembly and center punch the holes to be drilled.



Important : To ensure the fit of the backing plates the 3/8" mounting bolt holes must be drilled accurately, perpendicular and straight through the door.

Drill the bolt holes using the backing plate as an interior template as necessary.